

CYLINDER HEATED IRONERS



I
RANGE

I50

IR50

500MM

500MM



ERGONOMIC
CONSTRUCTION



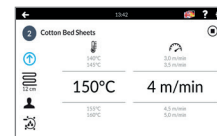
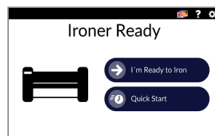
INTUITIVE
TOUCH SCREEN
CONTROL



OPTIMIZED
OUTPUT

senso.speed™

*Image represents I50 ironer model



Featuring XControl FLEX PLUS platform with built-in optimized programs and direct access to functionality

FEATURES

- Large surface contact with linen over an angle of 300°
- High polished steel, thin cylinder
 - Quick response time for temperature adjustment
 - Excellent thermal conductivity
- Finger protection and emergency button for more safety
- Durable Meta Aramid ironing belts (high temperature resistant)
- Automatic cool down
- 20 ironing programmes of which 6 are pre-set
- High ironing speed of 10m/minute
- Indication of ironing speed and temperature
- Frequency controlled motor
- Easy to remove lint filters
- Electric, gas or steam heating
- Overheating check system (OCS) with 3 temperature sensors
- Ergonomic design
- Front return (I50)
- Front/Rear return selectable (IR50)

OPTIONS

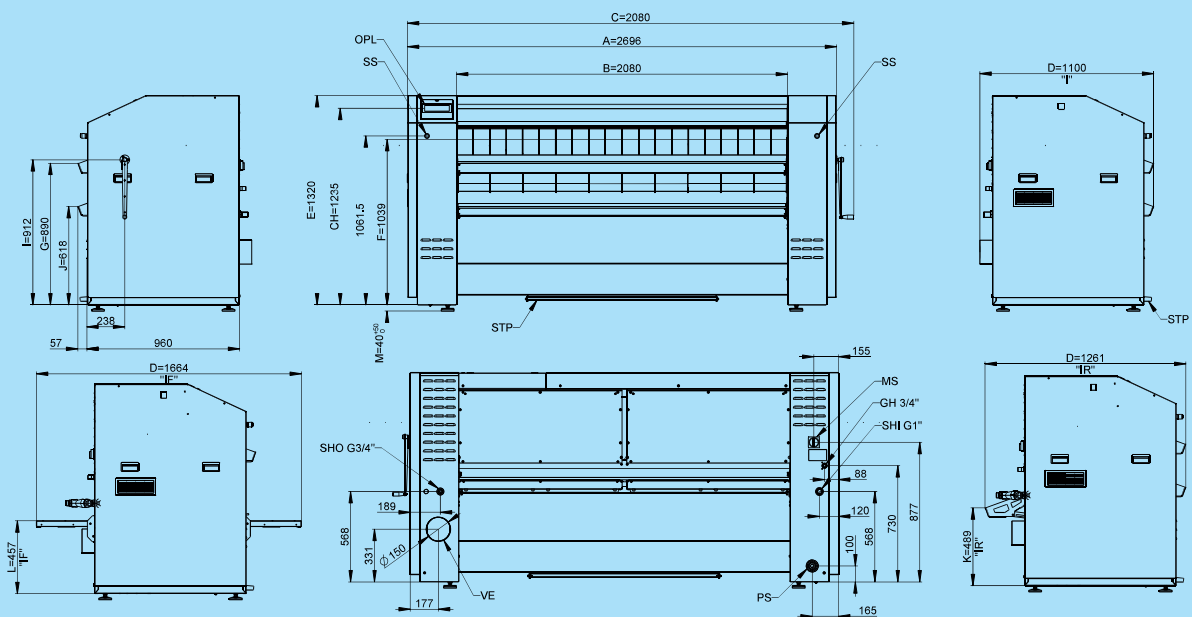
- Chrome-plated cylinder for a better thermal conduction and less maintenance
- Foot pedal with stop & reverse operation
- SensoSpeed™ - auto adjustable ironing speed

XCONTROL FLEX PLUS PLATFORM

- 7", full colour touch screen display with swipe function: very intuitive for users
- User-friendly screen with operating instructions built in as part of the control
- Complete control content available in 34 languages

TYPE		150-210 IR50- 210	150-270 IR50- 270	150-330 IR50- 330
ROLLER DIAMETER	mm	502	502	502
USEFUL ROLLER LENGTH	mm	2100	2700	3300
HEATING				
Electric heating	kW	38	50	62
Gas heating	kW	42	56	69
Steam heating	kg/h	49	68	88
MOTORS				
Roller motor	kW	0.37	0.37	0.37
Fan motor	kW	0.55	0.55	0.55
TOTAL INSTALLED POWER				
Electric		39.3	51.2	62.9
Gas		1.2	1.2	1.2
Steam		1.1	1.1	1.1
EXHAUST	mm	1x150	1x150	1x150
IRONING CAPACITY*				
Electrical & Gas heating	kg/h	80	95	120
Steam heating	kg/h	95	115	145
IRONING SPEED	m/min.	1,5-10	1,5-10	1,5-10
ELECTRIC CONNECTION				
I model		380-415V 3AC+N 50/60 Hz, 208-240V 3AC 50/60 Hz, 380-415V 3AC 50/60 Hz, 440V-480 3AC 60 Hz		
IR model		388-415V 3AC+N 50/60Hz, 208-240V 3AC 50/60Hz, 380-415V 3AC 50/60Hz, 440-480V 3AC 60Hz		
DIMENSIONS				
H×W×D (I model)	mm	1410x2810x1100	1410x3430x1100	1410x4060x1100
Net weight (EL/G/S) (I model)	kg	1070/1030/1250	1220/1180/1400	1370/1330/1550
H×W×D (IR model)	mm	1410x2810x1261	1410x3430x1261	1410x4060x1261
Net weight (EL/G/S) (IR model)	kg	1310/1280/1490	1310/1430/1650	1620/1580/1800
TRANSPORT DATA				
Volume (crate packed)	m ³	5.54	6.75	7.96
H×W×D	mm	1558x2857x1244	1558x3481x1244	1558x4105x1244
Packed weight (EL/G/S) (I model)	kg	1250/1210/1430	1410/1380/1590	1580/1550/1760
Packed weight (EL/G/S) (IR model)	kg	1490/1460/1670	1660/1630/1840	1830/1800/2010

* Tested in accordance of ISO 9398-1, The data concerning dimensions of machines include all extended parts



The Primus preserves the right to change the machines and the specification in this leaflet at any time, without prior notice. Details and photographs are only for information and never binding.
www.primuslaundry.com